

## PERICOM IC PACKAGING

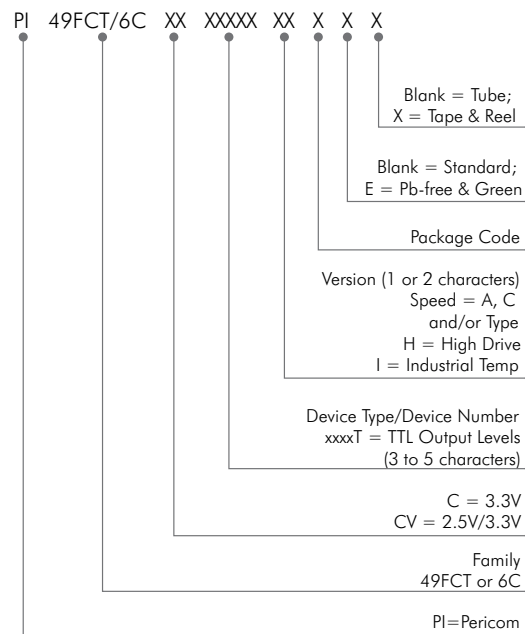
Pericom offers a wide range of advanced packaging solutions to fit any application including TSSOP, QFN, DFN, LFBGA, and SOTiny®. Use these marking guides to order the correct device for your design. Additional information can be obtained from individual data sheets, or by contacting your Pericom representative.

## LEAD-FREE ORDERING INFORMATION

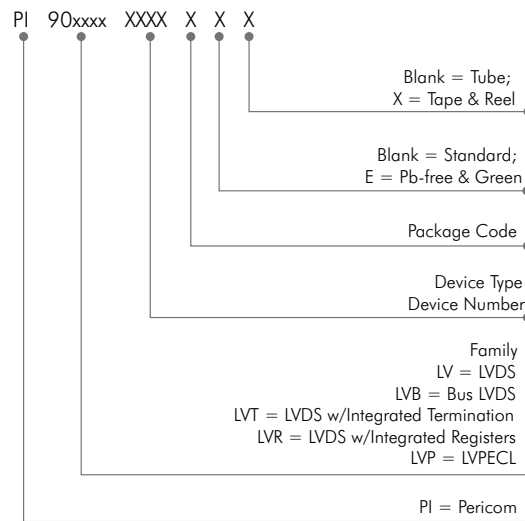
Pericom marks all its products (where space on the package surface permits) with an “E” or “-E” letter code to designate Pb-free and/or Green product. This letter will be marked after the complete part number. Where package space does not permit, we may place a “dash” above the first character of the device type to signify Pb-free product. Other possible Pb-free/Green marking identification can also be covered on the device’s datasheet.



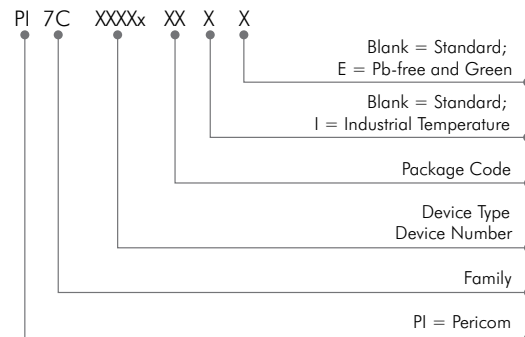
## CLOCK IC



## LVDS

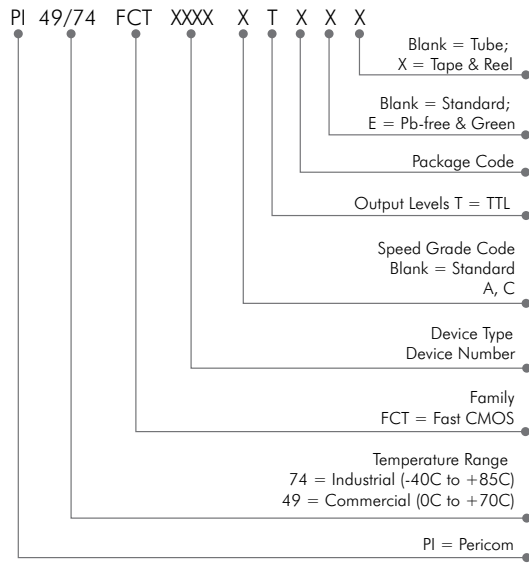


## BRIDGE

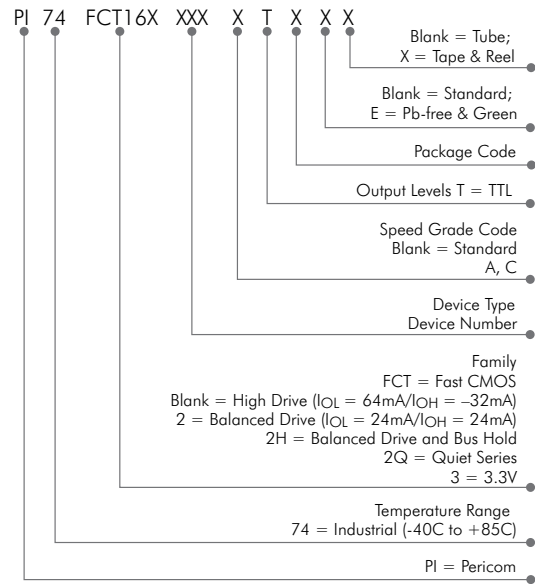


# Package Ordering Information

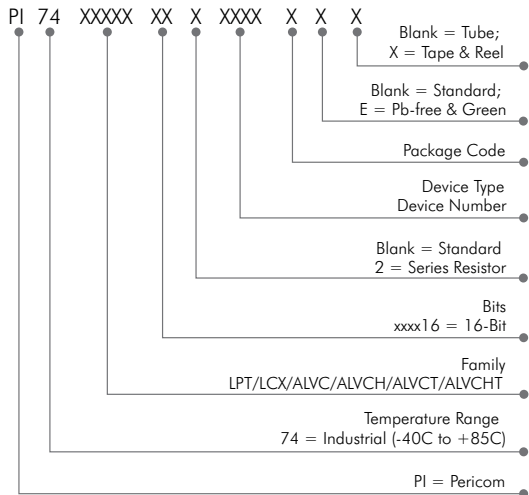
## FCTXXXXT



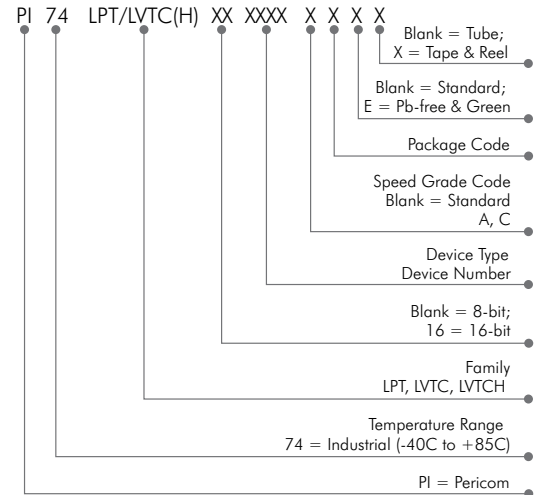
## FCT16XXXXT



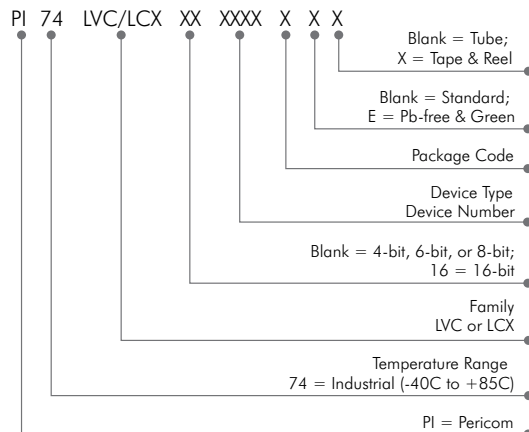
## ALVC/ALVCH/ALVCT/ALVCHT/ALVTC AVC/AVC+/SSTU/SSTUA/SSTV/VCX



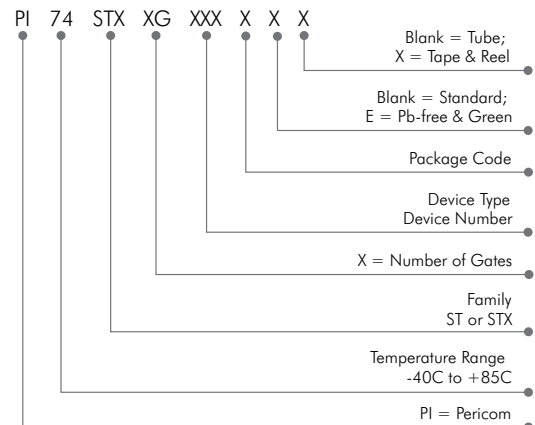
## LPT/ LPT16 / LVTC(H) / LVTC(H)16



## LVCXXXX / LCXXXX / LCX16XXXX

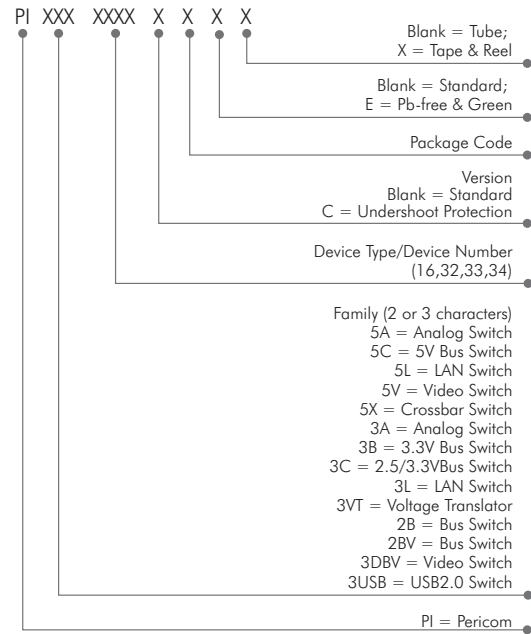


## GATE LOGIC

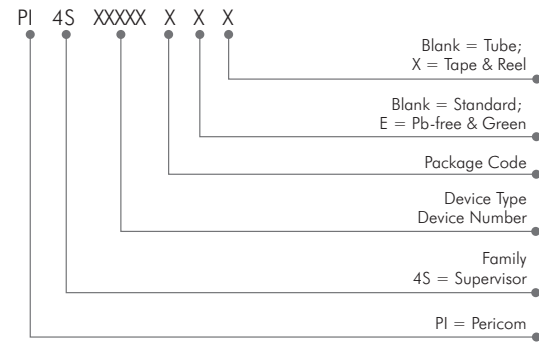


# Package Ordering Information

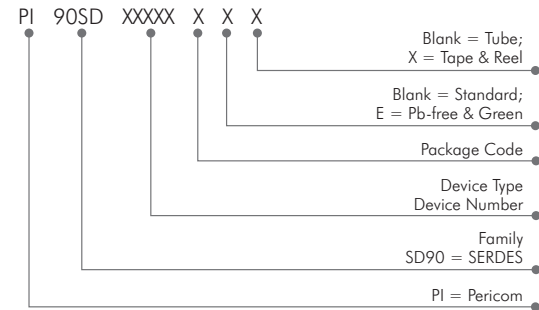
## DIGITAL / ANALOG SWITCHES



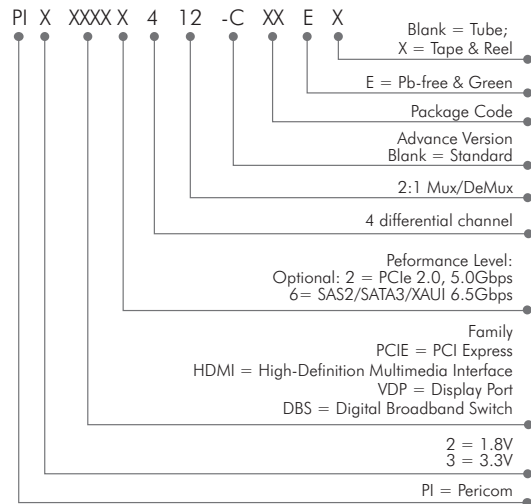
## SUPERVISORY



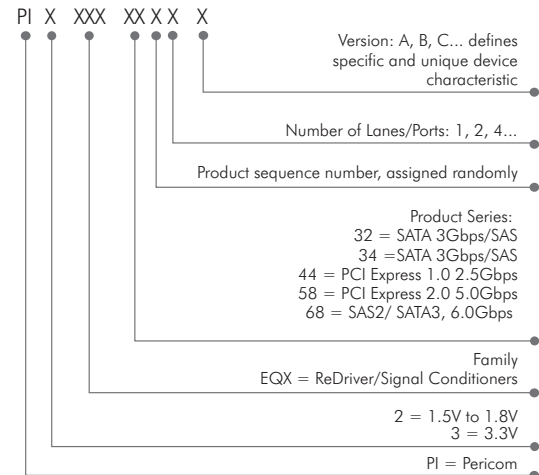
## SERDES



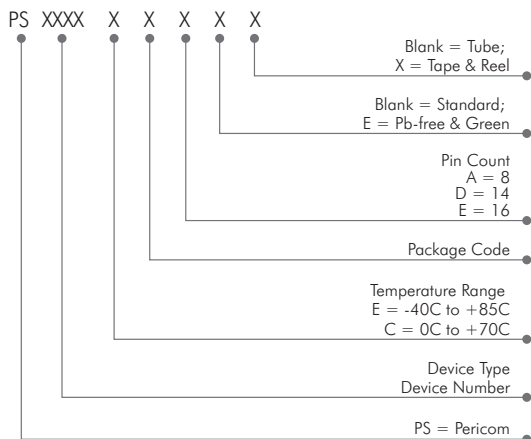
## PCIE, HDMI, DBS and VDP SWITCHES



## REDRIVER/SIGNAL CONDITIONERS



## PSXXXX ANALOG SWITCHES



## CRYSTALS & OSCILLATORS (FCP)

See Individual SaRonix-eCera Datasheets

# Plastic IC Top Mark Information

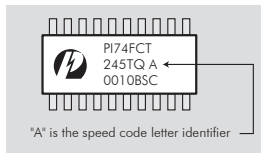
## TOP MARKING INFORMATION

Pericom's standard product mark follows our standard part number ordering information, except for those products with a speed letter code. For marking purposes, the speed letter code mark is placed after the package code letter, rather than after the device number as it is ordered.

Although all products are marked immediately after assembly to assure material traceability, Pericom does not usually mark the speed code at that time. After electrical test screening and speed binning has been completed, we then perform an "add mark" operation which places the speed code letter at the end of the complete part number.

Please refer to the example shown here:

- ✓ Part Number as ordered:  
PI74FCT245ATQ
- ✓ Example of Part Number as marked:

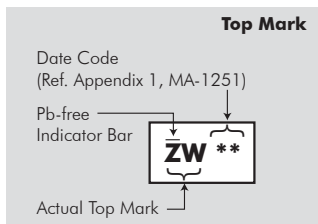


### NOTES:

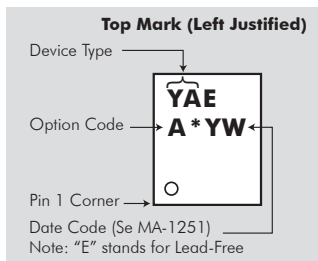
The 8-pin DIP, 8-pin SOIC, 8-pin TSSOP, 14-pin SOIC, 16-pin QSOP, SC70, MSOP, TDFN, and SOT-23 packages are not marked with the Pericom logo due to space limitations on the package.

### Pb-Free & Green Top Mark, Pin 1 indicator

For T, C and some Z\* packages, a BAR (-) over 1st character is used to indicate Pb-free & Green and Pin 1 side orientation.



For most Z\* packages, the letter "E" after the two-letter part number will indicate Pb-Free & Green.



Part Number	Pins	Package Code	Top Mark
PI3A121	6	TA	B/D
PI3A121	6	ZA	RA
PI3A121	6	ZC	RA
PI3A125	5	T, C	ZW
PI3A211-A	12	ZP	1A
PI3A213	12	ZL	GC
PI3A223	10	ZL, ZM	GD
PI3A223C	10	ZL, ZM	FB
PI3A223SC	10	ZL, ZM	FC
PI3A268C	10	ZL, ZM	FP
PI3A268SC	10	ZL, ZM	FR
PI3A3159	6	T, ZC	ZG
PI3A3160	12	ZE	YI
PI3A3160C	12	ZE	YH
PI3A404	16	ZN	MU
PI3A404E	16	ZN	MV
PI3A4116	16	ZN	MW
PI3A4117	16	ZN	MX
PI3A412	16	ZL, ZH	A4
PI3A412-A	16	ZN	MA
PI3A412E	16	ZL, ZH	AU
PI3A412E-A	16	ZN	MB
PI3A420	16	ZN	MT
PI3A4624	6	T, ZC	ZF
PI3A4625	6	T, ZC	ZE
PI3A4626	5, 6	T, ZC	ZD
PI3A4627	5, 6	T, ZC	ZC
PI3A4628	5, 6	T, ZC	ZB
PI3A4629	5, 6	T, ZC	ZA
PI3C3125	16	ZJ	TA
PI3C3306	16	ZG	LB
PI3DBV10	12	ZE	YK
PI3USB10	12	ZE	YJ
PI3USB102	10	ZL	XA
PI3USB10LP-A	12	ZL	AP
PI3USB10M	12	ZK	UM
PI3USB10M	12	ZE	YK
PI3USB411	16	ZJ	U1
PI3USB412	16	ZJ	U2
PI3USBA03	16	ZN	ME

Part Number	Pins	Package Code	Top Mark
PI3USBA201	10	ZL	FD
PI5A121	5	T, C	ZV
PI5A122	5	T, C	ZU
PI5A124	6	T	ZT
PI5A125	5	T	ZS
PI5A3157	6	C	ZM
PI5A3157	6	ZA	ZM
PI5A3158	12	ZA	A0
PI5A3159	6	T, ZC	ZL
PI5A4594A	6	C	ZR
PI5A4595A	6	C	ZQ
PI5A4596A	6	C	ZP
PI5A4597A	6	C	ZO
PI5A4599A	6	T, C	ZN
PI5A4624	6	T	ZK
PI5A4625	6	T	ZJ
PI5A4626	5	T	ZI
PI5A4629	5	T	ZH
PI5C3301	5	T, C	ZZ
PI5C3303	5	T	ZX
PI6C3421-1	6	T	SV
PI6C3421A	6	T	SU
PI6C3421AI	6	T	SW
PI6C3450	6	T	SP
PI74ST1G00	5	T, C	A0
PI74ST1G02	5	T, C	A2
PI74ST1G04	5	T, C	A4
PI74ST1G08	5	T, C	A8
PI74ST1G125	5	T, C	AA
PI74ST1G126	5	T, C	AB
PI74ST1G32	5	T, C	AD
PI74ST1G79	5	T, C	AE
PI74ST1G86	5	T, C	AG
PI74STX1G00	5	T, C	B0
PI74STX1G02	5	T, C	B2
PI74STX1G04	5	T, C	B4
PI74STX1G08	5	T, C	B8
PI74STX1G125	5	T, C	BA
PI74STX1G126	5	T, C	BB
PI74STX1G14	5	T, C	BC



NOTE: IF THE DEVICE IS NOT LISTED HERE, PLEASE REFER TO SPECIFIC DEVICE DATASHEET

# Plastic IC Top Mark Information

Part Number	Pins	Package Code	Top Mark
PI74STX1G32	5	T, C	BD
PI74STX1G79	5	T, C	BE
PI74STX1G86	5	T, C	BG
PI74STX1GT126	5	T, C	CB
PI74STX1GU04	5	T, C	BH
PI74STX1GU04A	5	T, C	BI
PI74STX2G04	6	C	D4
PI74STX2G14	6	C	DC
PI74STX2G4245	8	TA	DE
PI74STX2G4245	12	ZE	DE
PI74STX4G4245	16	ZJ	4G
PI74XLP34	6	TA	G
PI74XLP34	6	ZA	GE
PI7AT04	6	C	Z9
PI90LV01	5	T	L1
PI90LV02	5	T	L5
PI90LV03	6	T	L9
PI90LVT02	5	T	L6
PI90LV03	6	T	L9
PI90LVT02	5	T	L6

NOTE: IF THE DEVICE IS NOT LISTED HERE, PLEASE REFER TO SPECIFIC DEVICE DATASHEET